

Contactor & Relay WJ Series



- **AC Contactor**
- **Overload Relay**
- **Capacitor Contactor**



Westinghouse

Leading The Future of Electrification

- A Global Heritage Brand with 130 Years of Product Innovation
- Perfect Products, Creative Services, and Competitive Price

**Since 1886,
Westinghouse
Has Brought
The Best
To Life.**

Westinghouse remains a trusted name globally in consumer and industrial products. Built on a heritage of innovation and entrepreneurial spirit, Westinghouse products were the first to supply the United States with AC electric power, transmit a commercial radio broadcast and capture man's first step on the moon. Today, Westinghouse continues to grow its diverse portfolio with a wide range of product categories that include home appliances, consumer electronics, lighting and power generation.

WJCX Type AC Contactor



Applicable scope

WJCX AC Contactor is used in AC 50Hz/ 60Hz circuit with rated Insulation voltage of 690V, rated working voltage of 415V and rated working current from 9A~125A in AC-3 utilization Category. It is used to making or breaking the circuit and for frequent start AC motors from a distance. It can also be used as electro-magnetic starter when matching with thermal relay to protect the circuit against overload.

Conform to I EC/ EN 60947-1, I EC/ EN 60947-4-1, I EC/ EN 60947-5-1.

Operation and installation conditions

Type	Operation and installation conditions
Installation class	III
Pollution degree	3
Compliant standards	IEC/EN 60947-1, IEC/EN 60947-4-1, IEC/EN 60947-5-1
Certification mark	CE
Enclosure protection degree	WJCX-09~32: IP20; WJCX-40~125: IP10;
Ambient temperature	Operation temperature limits: -35°C~+70°C Normal operation temperature range: -5°C~+40°C. The 24-hour average temperature should not exceed +35°C. For use beyond the normal operation temperature range.
Altitude	Not exceeding 2000 m above sea level
Atmospheric conditions	The relative humidity should not exceed 50% at the upper temperature limit of +70°C. A higher relative humidity is allowed at a lower temperature, example 90% at +20°C. Special precautions should be taken against occasional condensation due to humidity variations.
Installation conditions	The angle between the installation surface and the vertical surface should not exceed $\pm 5^\circ$.

WJCX Type AC Contactor

Performance		Technical performance	
Rated insulation voltage U_i (V)		690V	
Rated impulse withstand voltage U_{imp} (kV)		8kV	
Rated making capacity		Making current: 1 $O_x I_e$ (AC-3) or 12 $x I_e$ (AC-4)	
Rated breaking capacity		Breaking current: 8 $x I_e$ (AC-3) or 10 $x I_e$ (AC-4)	
Number of pole		3P,4P	
Electrical life (cycles)	WJCX- 09~18	1.2 $\times 10^6$	
	WJCX- 25~32	1.2 $\times 10^7$	
	WJCX- 40~65	1.2 $\times 10^6$	
	WJCX- 80~95	0.8 $\times 10^6$	
Mechanical life (cycles)	WJCX- 09~18	1.2 $\times 10^7$	
	WJCX- 25~32	1 $\times 10^7$	
	WJCX- 40~65	0.9 $\times 10^7$	
	WJCX- 80~95	0.65 $\times 10^7$	
Main contact		3 NO	
Matching thermal overload relay	WJCX- 09~32	WUR2-36	
	WJCX- 40~95	WUR2-93	
Built-in auxiliary contact	3P	1 NO or 1 NC	
	4P	-	
Coil control power supply	WJCX- 09~18	24,110, 220, 230, 240, 415	
	WJCX- 25~95	24, 36,48, 110, 127, 220, 230, 240, 380, 415	
Control voltage	Pull-in	(70%~120%) U_s	
	Release	(20%~65%) U_s	
Coil average power (VA)	Start	WJCX- 09~18	4~60
		WJCX- 25~32	50~70
		WJCX- 40~65	160~120
		WJCX- 80~95	190~250
	Hold	WJCX- 09~18	9.5
		WJCX- 25~32	8~11.4
		WJCX- 40~65	13~24
Heat Dissipation (W)	AC	WJCX- 09~32	1~3
		WJCX- 40~65	4~8
		WJCX- 80~95	6~10
	DC	-	

WJCX Type AC Contactor 3 Pole

Contactor model

Contactor model			Conventional thermal current I _{th} (A) AC-1	Rated operation current I _e (A)		Rated control power AC-3(kW)
				AC-3	AC-4	
WJCX-09-3P	W605973	220V/230V/240V	20	9	9	2.2
		380V/400V/415V	20	9	9	4
		660V/690V	20	6.6	6.6	5.5
WJCX-12-3P	W605974	220V/230V/240V	25	12	12	3
		380V/400V/415V	25	12	12	5.5
		660V/690V	25	8.9	8.9	7.5
WJCX-18-3P	W605975	220V/230V/240V	32	18	18	4
		380V/400V/415V	32	18	18	7.5
		660V/690V	32	12	12	10
WJCX-25-3P	W605976	220V/230V/240V	40	25	25	5.5
		380V/400V/415V	40	25	25	11
		660V/690V	40	18	18	15
WJCX-32-3P	W605977	220V/230V/240V	50	32	32	7.5
		380V/400V/415V	50	32	32	15
		660V/690V	50	22	22	18.5
WJCX-40-3P	W605978	220V/230V/240V	60	40	40	11
		380V/400V/415V	60	40	40	18.5
		660V/690V	60	34	34	30
WJCX-50-3P	W605979	220V/230V/240V	80	50	50	15
		380V/400V/415V	80	50	50	22
		660V/690V	80	39	39	37
WJCX-65-3P	W605980	220V/230V/240V	80	65	65	18.5
		380V/400V/415V	80	65	65	30
		660V/690V	80	42	42	37
WJCX-80-3P	W605981	220V/230V/240V	125	80	80	22
		380V/400V/415V	125	80	80	37
		660V/690V	125	49	49	45
WJCX-100-3P	W608766	220V/230V/240V	125	100	100	25
		380V/400V/415V	125	100	100	45
		660V/690V	125	49	49	45

WJCX Type AC Contactor 4 Pole

Contacteur model

Contactor model			Conventional thermal current I _{th} (A) AC-1	Rated operation current I _e (A)		Rated control power AC-3(kW)
				AC-3	AC-4	
WJCX-09-4P	W607615	220V/230V/240V	20	9	9	2.2
		380V/400V/415V	20	9	9	4
		660V/690V	20	6.6	6.6	5.5
WJCX-12-4P	W607616	220V/230V/240V	25	12	12	3
		380V/400V/415V	25	12	12	5.5
		660V/690V	25	8.9	8.9	7.5
WJCX-18-4P	W607617	220V/230V/240V	32	18	18	4
		380V/400V/415V	32	18	18	7.5
		660V/690V	32	12	12	10
WJCX-25-4P	W607618	220V/230V/240V	40	25	25	5.5
		380V/400V/415V	40	25	25	11
		660V/690V	40	18	18	15
WJCX-32-4P	W607619	220V/230V/240V	50	32	32	7.5
		380V/400V/415V	50	32	32	15
		660V/690V	50	22	22	18.5
WJCX-40-4P	W607620	220V/230V/240V	60	40	40	11
		380V/400V/415V	60	40	40	18.5
		660V/690V	60	34	34	30
WJCX-50-4P	W607621	220V/230V/240V	80	50	50	15
		380V/400V/415V	80	50	50	22
		660V/690V	80	39	39	37
WJCX-65-4P	W607622	220V/230V/240V	80	65	65	18.5
		380V/400V/415V	80	65	65	30
		660V/690V	80	42	42	37
WJCX-80-4P	W607623	220V/230V/240V	100	80	80	22
		380V/400V/415V	100	80	80	37
		660V/690V	100	49	49	45
WJCX-100-4P	W608767	220V/230V/240V	100	100	100	25
		380V/400V/415V	100	100	100	45
		660V/690V	100	49	49	45

WJCX Type AC Contactor

Contactor model

Contactor wiring				WJCX-09~12	WJCX-18~25	WJCX-32~40	WJCX-50~65	WJCX-80~100
Main Circuit connection	Cable connection (mm ²)	Prefabricated flexible wire W	1	1~4	1.5~6	1.5~10	6~25	10~35
			2	1~2.5	1.5~4	1.5~6	4~10	6~16
		Hard wire	1	1~4	1.5~6	1.5~6	6~25	10~35
			2	1~4	1.5~6	1.5~6	4~10	6~16
	Size of fastening screw			M3.5	M3.5	M4	M8	M8
	Tightening torque (N.m)			0.8	0.8	1.2	6	6
Cable circuit connection		Prefabricated flexible wire	1	1~4				
			2	1~2.5				
		Hard wire	1	1~4				
			2	1~4				
	Size of fastening screw			M3.5				
	Tightening torque (N.m)			0.8				

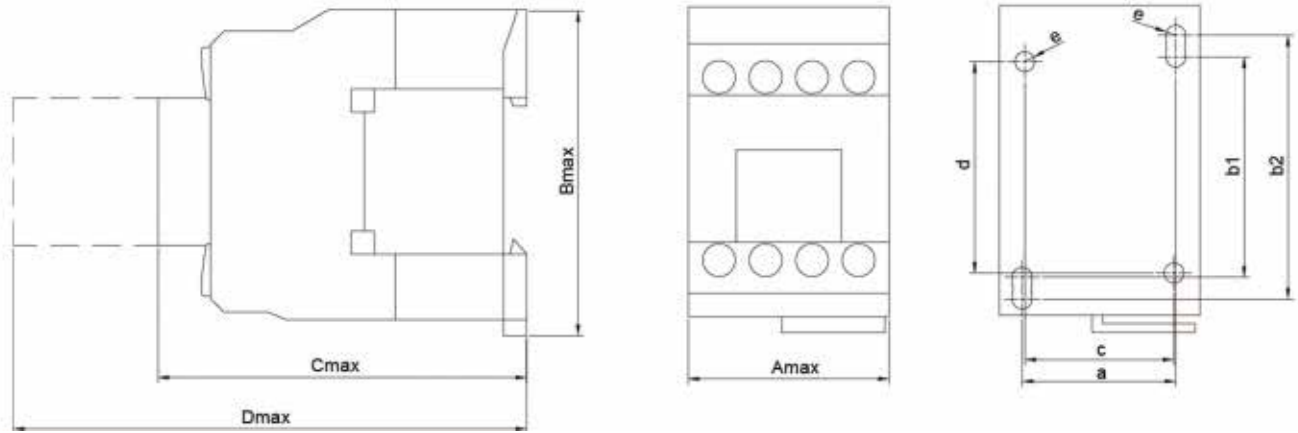
1

AC Contactor

WJCX Type AC Contactor

Dimensions (mm)

WJCX-09-32-3 & 4 Pole



Contactor Model	A max	B Max	C Max	D Max	a	b1/b2	c	d	e
WJCX-09~18	45	75	85	117	35	50/60	34	48	Ø5
WJCX-25~32	45	85	92	124	35	50/60	34	48	Ø5

WJCX-40~100- 3 & 4 Pole



Contactor Model	A max	B Max	C Max	D Max	a	b	c
WJCX-40~65	77	127	117	151	40	100/110	Ø 6.5
WJCX-80~100	86	127	125	160	40	100/110	Ø 6.5

Frame	Accessory model	Ref.No.
WJCX-09A-32A	WHLOCK0932	W611483
WJCX-40A-100A	WHLOCK40125	W611484

AC Contactor Accessories



Accessory selection table

Dust cover

Contactor	Ref.No.	Optional Accessory
WJCX-09~18	W606085	WJCX-1 dust cover
WJCX-25~32	W606086	WJCX-2 dust cover
WJCX-40~65	W606087	WJCX-3 dust cover
WJCX-80~100	W606088	WJCX-4 dust cover

Optional Accessory

Pneumatic Timer Head

N meaning :power on time delay
F meaning: power off time delay



Contactor	Ref.No.	Accessory model	Contact Combination	Delay range (s)
WJCX Full Series & WUNC Full Series	W606089	WLA2-NO	1NO+1NC	0.1~3
	W606090	WLA2-N2	1NO+1NC	0.1~30
	W606091	WLA2-N4	1NO+1NC	10~180
	W606092	WLA2-FO	1NO+1NC	0.1~3
	W606093	WLA2-F2	1NO+1NC	0.1~30
	W606094	WLA2-F4	1NO+1NC	10~180

Mechanical interlock

Contactor	Frame	Accessory model	Ref.No.
WJCX Full Series & WUNC Full Series	WJCX-09A-32A	WHLOCK0932	W611483
	WJCX-40A-125A	WHLOCK4095	W611484
	WUNC115F-150F	WHLA9FF970	W611485
	WUNC185F-225F	WHLA9FG970	W611486
	WUNC265F-500F	WHLA9FJ970	W611487
	WUNC630F-800F	WHLA9FL970	W611488

AC Contactor Accessories

AC Contactor 1

Auxiliary contacts Top Mounted



Contactor	Ref.No.	Accessory model	Contact combination
WJ CX Full Series & WUNC Full Series	W606095	F111	1NO+1NC
	W606096	F102	2NC
	W606097	F120	2NO
	W606098	F122	2NO+2NC
	W606099	F113	1NO+3NC
	W606100	F131	3NO+1NC
	W606101	F140	4NO
	W606102	F104	4NC

Lateral block Side-mounted



Contactor	Ref.No.	Accessory model	Contact combination
WJ CX-09-100	W606103	F811	1NO+1NC
	W606104	F820	2NO

WJCX Coil AC Control

Operational characteristics

WJCX coils AC control				
Rated Voltage	50/60, 60Hz			
Operating Voltage Limits				
50/60Hz coil power at	50Hz	Pick-Up	% Us	85-110
		Drop-Out	% Us	20-70
	60Hz	Pick-Up	% Us	85-110
		Drop-Out	% Us	20-70
60Hz coil power at	60Hz	Pick-Up	% Us	85-110
		Drop-Out	% Us	20-70

AC Coil

Order code	Ref.No.	Rated Frequency and Voltage	
		(HZ)	(V)

For Contactors WJCX09-12-18

WJXC01-024	W607625	50/60Hz	24VAC
WJXC01-048	W607626	50/60Hz	48VAC
WJXC01-110	W607627	50/60Hz	110VAC
WJXC01-230	W607628	50/60Hz	230VAC
WJXC01-400	W607629	50/60Hz	400VAC
WJXC01-024-60	W607630	60Hz	24VAC
WJXC01-048-60	W607631	60Hz	48VAC
WJXC01-110-60	W607632	60Hz	110VAC
WJXC01-220-60	W607633	60Hz	220VAC
WJXC01-230-60	W607634	60Hz	230VAC
WJXC01-400-60	W607635	60Hz	400VAC
WJXC01-415-60	W607636	60Hz	415VAC

For Contactors WJCX25-32

WJXC02-024	W607637	50/60Hz	24VAC
WJXC02-048	W607638	50/60Hz	48VAC
WJXC02-110	W607639	50/60Hz	110VAC
WJXC02-230	W607640	50/60Hz	230VAC
WJXC02-400	W607641	50/60Hz	400VAC
WJXC02-024-60	W607642	60Hz	24VAC
WJXC02-048-60	W607643	60Hz	48VAC
WJXC02-110-60	W607644	60Hz	110VAC
WJXC02-220-60	W607645	60Hz	220VAC
WJXC02-230-60	W607646	60Hz	230VAC
WJXC02-400-60	W607647	60Hz	400VAC
WJXC02-415-60	W607648	60Hz	415VAC

WJCX Coil AC Control

AC Coil

1

AC Contactor

Order code	Ref.No.	Rated Frequency and Voltage	
		(HZ)	(V)

For Contactors WJCX40-50-65

WJCXCO3-024	W607649	50/60Hz	24VAC
WJCXCO3-048	W607650	50/60Hz	48VAC
WJCXCO3-110	W607651	50/60Hz	110VAC
WJCXCO3-230	W607652	50/60Hz	230VAC
WJCXCO3-400	W607653	50/60Hz	400VAC
WJCXCO3-024-60	W607654	60Hz	24VAC
WJCXCO3-048-60	W607655	60Hz	48VAC
WJCXCO3-110-60	W607656	60Hz	110VAC
WJCXCO3-220-60	W607657	60Hz	220VAC
WJCXCO3-230-60	W607658	60Hz	230VAC
WJCXCO3-400-60	W607659	60Hz	400VAC
WJCXCO3-415-60	W607660	60Hz	415VAC

For Contactors WJCX80-100

WJCXCO4-024	W607661	50/60Hz	24VAC
WJCXCO4-048	W607662	50/60Hz	48VAC
WJCXCO4-110	W607663	50/60Hz	110VAC
WJCXCO4-230	W607664	50/60Hz	230VAC
WJCXCO4-400	W607665	50/60Hz	400VAC
WJCXCO4-024-60	W607666	60Hz	24VAC
WJCXCO4-048-60	W607667	60Hz	48VAC
WJCXCO4-110-60	W607668	60Hz	110VAC
WJCXCO4-220-60	W607669	60Hz	220VAC
WJCXCO4-230-60	W607670	60Hz	230VAC
WJCXCO4-400-60	W607671	60Hz	400VAC
WJCXCO4-415-60	W607672	60Hz	415VAC

WUR2 Thermal Overload relay



Applicable scope

Type WUR2 thermal overload relay used to AC Current 50Hz or 60Hz, Voltage up to 690V.

And suitable for three-phase or single-phase motor applications.

Provider class 10 protection and main functions including: Motor protection against overload and phase failure. Automatic and manual reset both included test and stop functions.

Conform to standard :IEC 60947-4-1 ,IEC 60947-5-1

Technical features

Type number	WUR2	
Rated insulated voltage V	WUR2-32	0.1-32A
	WUR2-93	23-93A
Rated impulse withstand	690V	
Voltage Uimp V	60000V	
Phase failure protection function	YES	
Automatic and manual reset	YES	
Temperature compensation	YES	
Tripping indicator	YES	
Test and stop push button	YES	
Mounting type	PLUG IN MOUNTING	
Frame protection degree	IP 20	
Standards	IEC 60947-4-1 ,IEC 60947-5-1	
Auxiliary contacts		
Contacts configuration	1NO+1NC	
Rated current (A) AC-15 220V	2.73	
Rated current (A) AC-15 380V	1.57	

WUR2 Thermal Overload relay

Contactor wiring

Contactor wiring			WUR2-32	WUR2-93
Cross section area of conductor mm ²	Main circuit	Single core or standard sired	4-10mm ²	4-35mm ²
		Wiring screw	M4	M10
	Auxiliary circuit	Single core or standard sired	0.5-25	0.5-25
		Wiring screw	M3.5	M3.5

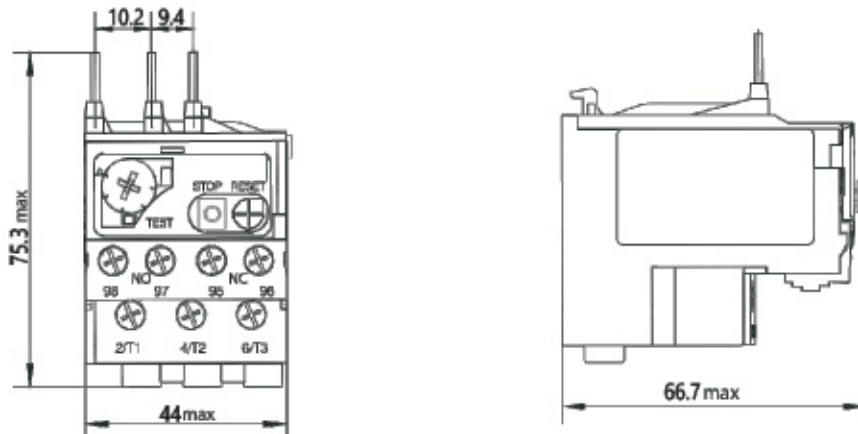
1 AC Contactor

Frame	Ref.No.	Rated current adjustable range (A)	Recommended fuse type		Matching for ac contactor (A)
			aM	gG	
WUR2-32-0.1-0.16	W606414	0.1-0.16	0.25	2	09-32A
WUR2-32-0.16-0.2	W608347	0.16-0.2	0.5	2	09-32A
WUR2-32-0.25-0.4	W608348	0.25-0.4		2	09-32A
WUR2-32-0.4-0.63	W608349	0.4-0.63		2	09-32A
WUR2-32-0.63-1	W608350	0.63-1	2	4	09-32A
WUR2-32-1-1.6	W608351	1-1.6	2	4	09-32A
WUR2-32-1.25-2	W608352	1.25-2	4	6	09-32A
WUR2-32-1.6-2.5	W608353	1.6-2.5	4	6	09-32A
WUR2-32-0.5-4	W608354	2.5-4	6	10	09-32A
WUR2-32-4-6	W608355	4-6	8	16	09-32A
WUR2-32-5.5-8	W608356	5.5-8	12	20	09-32A
WUR2-32-7-10	W608357	7-10	12	20	09-32A
WUR2-32-9-13	W608358	9-13	16	25	09-32A
WUR2-12-18	W608359	12-18	20	35	09-32A
WUR2-32-17-25	W608360	17-25	25	50	32A
WUR2-32-23-32	W608361	23-32	40	63	25-32A

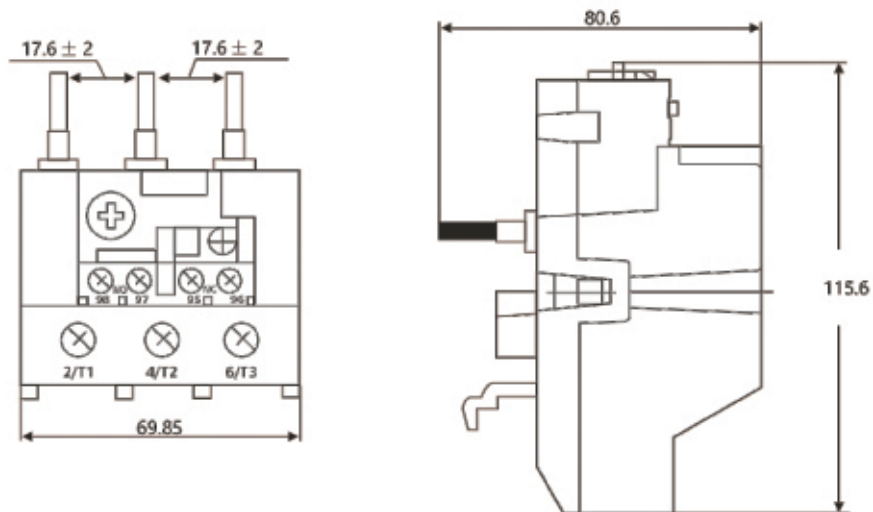
Frame	Ref.No.	Rated current adjustable range (A)	Recommended fuse type		Matching for ac contactor (A)
			aM	gG	
WUR2-93-23-32	W606415	23-32	40	63	40A
WUR2-93-30-40	W608362	30-40	40	100	50A
WUR2-93-36-45	W608791	36-45	63	100	65A
WUR2-93-37-50	W608363	37-50	63	100	65A
WUR2-93-40-57	W608792	40-57	63	100	65A
WUR2-93-48-65	W608364	48-65	63	100	80A
WUR2-93-55-70	W608365	55-70	80	125	90A
WUR2-93-63-80	W608366	63-80	80	125	40-65A
WUR2-93-80-93	W608367	80-93	100	160	80-95A

WUR2 Thermal Overload relay

WUR2-32



WUR2-93



WNUC Type AC Contactor

1

AC Contactor



Applicable scope

The WNUC AC Contactors are suitable for controlling various types of motors in the circuit of AC 50/60Hz, voltage up to 1000 V, current up to 800 A.

Controlling resistance, inductance, and capacitive circuits: heating, lighting, power compensation, transformer.

Controlling distribution circuit, industrial distribution, green distribution. or frequent operations and harsh environment, quick operating coils are recommended to use.

Conform to IEC/EN 60947-4-1

Operation and installation conditions

Type	Operation and installation conditions
Installation class	III
Compliant standards	IEC/EN 60947-4-1
Degree of protection	IP20
Ambient temperature	Operation temperature limits: -40°C~+70°C Normal operation temperature range: -5°C~+40°C. Storage temperature range: -60°C~+80°C.
Humidity	Maximum relative humidity less than 50% below 40°C, Maximum relative humidity less than 90% below 20°C
Altitude	Not exceeding 2000 m above sea level.

WNUC Type AC Contactor

Performance		Technical performance	
Rated insulation voltage U_i (V)		1000V	
Rated impulse withstand voltage U_{imp} (kV)		8kV	
Rated operational voltage U_e max (V)		1000V	
Rated making capacity		Making current: 10xI _e (AC-3) or 12x I _e (AC-4)	
Rated breaking capacity		Breaking current: 8xI _e (AC-3) or 10xI _e (AC-4)	
Rated control voltage(U_c)		24-660V (please specify control voltage when placing orders, default voltage is 220V)	
Mechanical life (cycles)		1x10 ⁶	
Main contact	115-265	3 Pole or 4 Pole	
	330-780	3 Pole or 4 Pole	
	800	3 Pole	
Control voltage limits(AC) (0≤55°C)	Pull-in	0.85-1.1 U_c	
	Release(AC)	0.2-0.75 U_c	
	Release(DC)	0.1-0.75 U_c	
Average power 50Hz (VA)	Start	115~150	550
		185-225	810
		265	1200
		330	600
		400	1000
		500	1050
		630	1500
		780	1900
		800	1600
	Hold	115~150	45
		185~225	55
		265	85
		330	10
		400	12
		500	16
	630	20	
	780	45	
	800	22	

WNUC Type AC Contactor 3 Pole

1 AC Contactor

Contactor model			Conventional thermal current I _{th} (A) (0≤40°C)	Rated operation current I _e (A)		Rated control power AC-3(kW)
				Max AC-1 (0≤40°C)	Max AC-3 (0≤55°C)	
WNUC-115-3P	W605962	220V/240V	200	200	115	30
		380V/400V	200	200	115	55
		415V/440V	200	200	115	59
		500V	200	200	-	75
		660V/690V	200	200	-	80
		1000V	200	200	-	65
WNUC-150-3P	W605963	220V/240V	250	250	150	40
		380V/400V	250	250	150	75
		415V/440V	250	250	150	80
		500V	250	250	-	90
		660V/690V	250	250	-	100
		1000V	250	250	-	65
WNUC-185-3P	W605964	220V/240V	275	275	185	55
		380V/400V	275	275	185	90
		415V/440V	275	275	185	100
		500V	275	275	-	110
		660V/690V	275	275	-	120
		1000V	275	275	-	100
WNUC-225-3P	W605965	220V/240V	315	315	225	63
		380V/400V	315	315	225	100
		415V/440V	315	315	225	110
		500V	315	315	-	129
		660V/690V	315	315	-	129
		1000V	315	315	-	140
WNUC-265-3P	W605966	220V/240V	350	350	265	75
		380V/400V	350	350	265	132
		415V/440V	350	350	265	140
		500V	350	350	-	160
		660V/690V	350	350	-	180
		1000V	350	350	-	147
WNUC-330-3P	W605967	220V/240V	400	400	330	100
		380V/400V	400	400	330	160
		415V/440V	400	400	330	180
		500V	400	400	-	200
		660V/690V	400	400	-	220
		1000V	400	400	-	160

WNUC Type AC Contactor 3 Pole

Contactor model			Conventional thermal current I _{th} (A) (0≤40°C)	Rated operation current I _e (A)		Rated control power AC-3(kW)
				Max AC-1 (0≤40°C)	Max AC-3 (0≤55°C)	
WNUC-400-3P	W605968	220V/240V	500	500	400	129
		380V/400V	500	500	400	200
		415V/440V	500	500	400	220
		500V	500	500	-	257
		660V/690V	500	500	-	280
		1000V	500	500	-	185
WNUC-500-3P	W605969	220V/240V	700	700	500	147
		380V/400V	700	700	500	250
		415V/440V	700	700	500	280
		500V	700	700	-	335
		660V/690V	700	700	-	355
		1000V	700	700	-	335
WNUC-630-3P	W605970	220V/240V	900	900	630	200
		380V/400V	900	900	630	335
		415V/440V	900	900	630	275
		500V	900	900	-	400
		660V/690V	900	900	-	450
		1000V	900	900	-	450
WNUC-780-3P	W605971	220V/240V	1000	1000	780	220
		380V/400V	1000	1000	780	400
		415V/440V	1000	1000	780	425
		500V	1000	1000	-	450
		660V/690V	1000	1000	-	475
		1000V	1000	1000	-	450
WNUC-780-2-3P	W605972	220V/240V	1000	1000	800	220
		380V/400V	1000	1000	800	400
		415V/440V	1000	1000	800	425
		500V	1000	1000	-	450
		660V/690V	1000	1000	-	475
		1000V	1000	1000	-	450

WNUC Type AC Contactor

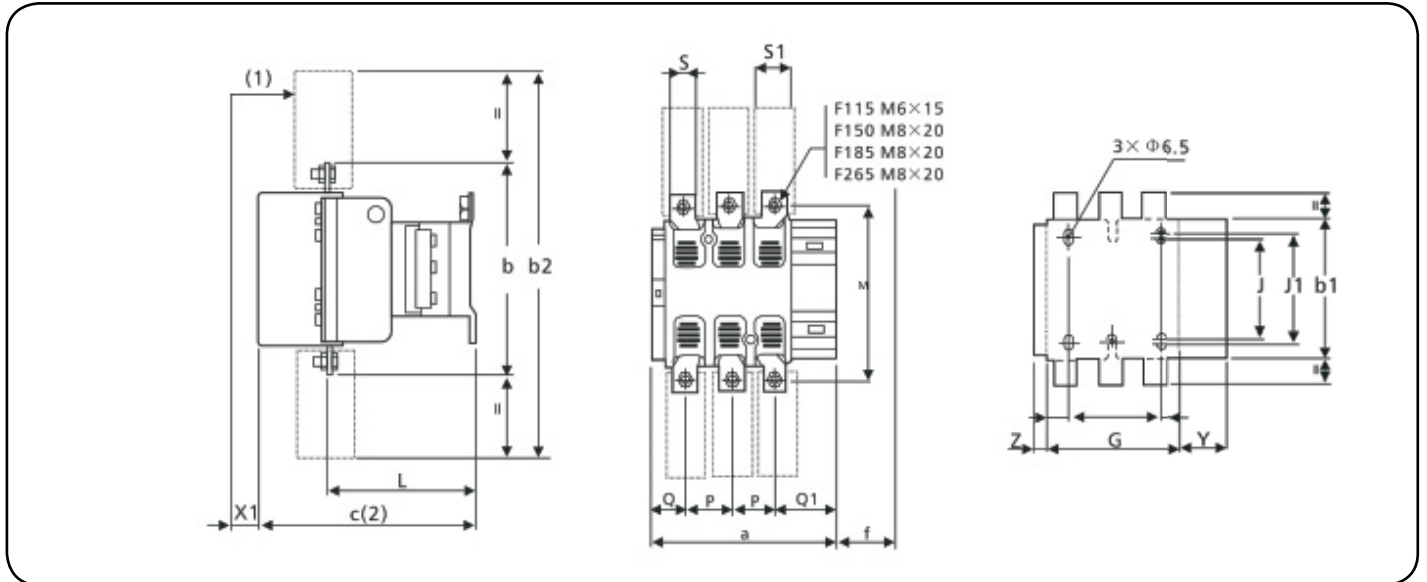
Contactor wiring

1 AC Contactor

Contactor wiring		115	150/ 185	225	265	330	400	500	630	780	800
Cabling (0≤55°C)	The maximum cross section area number of cable (mm ²)	2	2	2	2	2	2	2	2	2	2
	Dimension of cables	20x3	25x3	32x3	32x4	30x5	30x5	40x5	60x5	100x5	60x5
	Cable with tabs (mm ²)	95	120/150	185	240	240	2x150	2x240	-	-	-
	Cable with connectors (mm ²)	95	120/150	185	240	-	-	-	-	-	-
	Bolt diameter(mm)	Ø6	Ø8	Ø10	Ø10	Ø10	Ø10	Ø10	Ø10	Ø12	Ø12
Cable Circuit Connection	Tightening torque (N.m)	10	18	35	35	35	35	35	58	58	58

WNUC Type AC Contactor 3 Pole

Dimensions



1

AC Contactor

Current		115	150	185	225	265	330	400	500	630	780	800
Item	A	163.5	163.5	168.5	168.5	201.5	213	213	233	309	704	309
	B	162	170	174	197	203	206	206	238	304	435	304
	C	171	171	181	181	213	219	219	232	255	255	255
	F	131	131	130	130	147	147	151	169	201	201	201
	G	106	106	111	111	140	154.5	170	170	180	180	240
	J	120-106	120-106	120-106	120-106	120-106	120-106	180	180	180	180	180
	L	107	107	113.5	113.5	141	145	145	146	155	165	155
	M	147	150	154	172	178	181	181	208	264	400	264
	P	37	40	40	48	48	48	48	55	80	160	80
	Q	29.5	26	29	21	39	43	69	76	60	192	60
	S	20	20	20	25	25	25	25	30	40	60	40

WNUC Coil AC Control

AC Coil

Order code		Rated frequency and voltage (HZ)	(V)	ppick-up (VA")	dro -out (VA")	Fuse (A)
For contactors WNUC-115F-150F						
WNUC1FF024	W607673	50Hz	24VAC	550	51	12A
WNUC1FF048	W607674	50Hz	48VAC	550	51	6A
WNUC1FF110	W607675	50Hz	115VAC	550	51	4A
WNUC1FF220	W607676	50Hz	230VAC	550	51	2A
WNUC1FF380	W607677	50Hz	400VAC	550	51	1A
For contactors WNUC-185F-225F						
WNUC1FG024	W607678	50Hz	24VAC	805	61	16A
WNUC1FG048	W607679	50Hz	48VAC	805	61	8A
WNUC1FG110	W607680	50Hz	115VAC	805	61	4A
WNUC1FG220	W607681	50Hz	230VAC	805	61	2A
WNUC1FG380	W607682	50Hz	400VAC	805	61	1A
For contactors WNUC-265F-330F Twin coil						
WNUC1FH0482	W607683	50Hz	48VAC	600- 700	8- 10	10A
WNUC1FH1102	W607684	50Hz	115VAC	600- 700	8- 10	6A
WNUC1FH2202	W607685	50Hz	230VAC	600- 700	8- 10	4A
WNUC1FH3802	W607686	50Hz	400VAC	600- 700	8- 10	2A
For contactors WNUC-115F-150F Twin coil						
WNUC9FF024	W607687	50Hz	24VAC	690-855	6.6-8.1	12A
WNUC9FF048	W607688	50Hz	48VAC	690-855	6.6-8.1	8A
WNUC9FF110	W607689	50Hz	115VAC	690-855	6.6-8.1	4A
WNUC9FF220	W607690	50Hz	230VAC	690-855	6.6-8.1	2A
WNUC9FF380	W607691	50Hz	400VAC	690-855	6.6-8.1	2A
For contactors WNUC-400F Twin coil						
WNUC1FJ048	W607692	50/60Hz	48VAC	1000- 1150	12- 18	10A
WNUC1FJ110	W607693	50/60Hz	120VAC	1000- 1150	12- 18	6A
WNUC1FJ220	W607694	50/60Hz	230VAC	1000- 1150	12- 18	4A
WNUC1FJ380	W607695	50/60Hz	400VAC	1000- 1150	12- 18	2A
For contactors WNUC-500F Twin coil						
WNUC1FK048	W607696	50/60Hz	48VAC	1050- 1150	16- 20	10A
WNUC1FK110	W607697	50/60Hz	120VAC	1050- 1150	16- 20	6A
WNUC1FK220	W607698	50/60Hz	230VAC	1050- 1150	16- 20	4A
WNUC1FK380	W607699	50/60Hz	400VAC	1050- 1150	16- 20	2A
For contactors WNUC-630F-800F Twin coil						
WNUC1FL048	W607700	50/60Hz	48VAC	1500- 1730	20- 25	16A
WNUC1FL110	W607701	50/60Hz	120VAC	1500- 1730	20- 25	8A
WNUC1FL220	W607702	50/60Hz	240VAC	1500- 1730	20- 25	6A
WNUC1FL380	W607703	50/60Hz	400VAC	1500- 1730	20- 25	4A

WNUC Coil AC Control

AC Coil

Order code		Rated frequency and voltage (HZ) (V)	pick-up (VA'')	drop-out (VA'')	Fuse (A)
For contactors WNUC-185F-225F Twin coil					
WNUC9FG024	W607704	50/60Hz 24VAC	950-1180	8.9-10.9	16A
WNUC9FG048	W607705	50/60Hz 48VAC	950-1180	8.9-10.9	10A
WNUC9FG110	W607706	50/60Hz 115VAC	950-1180	8.9-10.9	6A
WNUC9FG220	W607707	50/60Hz 230VAC	950-1180	8.9-10.9	4A
WNUC9FG380	W607708	50/60Hz 400VAC	950-1180	8.9-10.9	2A

DC Coil

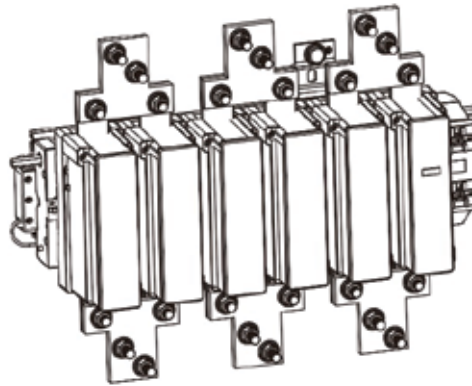
Order code		Voltage (V)	pick-up (VA'')	drop-out (VA'')	Fuse (A)
For contactors WNUC-115F-150F					
WNUC4FF024	W607709	24VDC	543-665	3.94-4.83	12A
WNUC4FF048	W607710	48VDC	543-665	3.94-4.83	6A
WNUC4FF110	W607711	110VDC	543-665	3.94-4.83	4A
WNUC4FF220	W607712	230VDC	543-665	3.94-4.83	2A
WNUC4FF440	W607713	460VDC	543-665	3.94-4.83	1A
For contactors WNUC-185F-225F					
WNUC4FG024	W607714	24VDC	737-902	4.13-5.07	16A
WNUC4FG048	W607715	48VDC	737-902	4.13-5.07	8A
WNUC4FG110	W607716	110VDC	737-902	4.13-5.07	4A
WNUC4FG220	W607717	230VDC	737-902	4.13-5.07	2A
WNUC4FG440	W607718	460VDC	737-902	4.13-5.07	1A
For contactors WNUC-265F-330F					
WNUC4FH024	W607719	24VDC	655-803	3.68-4.53	16A
WNUC4FH048	W607720	48VDC	655-803	3.68-4.53	8A
WNUC4FH110	W607721	110VDC	655-803	3.68-4.53	4A
WNUC4FH220	W607722	230VDC	655-803	3.68-4.53	2A
WNUC4FH440	W607723	460VDC	655-803	3.68-4.53	1A
For contactors WNUC-400F					
WNUC4FJ048	W607724	48VDC	920-1140	4-7.5	10A
WNUC4FJ110	W607725	110VDC	920-1140	4-7.5	6A
WNUC4FJ220	W607726	230VDC	920-1140	4-7.5	4A
WNUC4FJ440	W607727	440VDC	920-1140	4-7.5	2A
For contactors WNUC-500F					
WNUC4FK048	W607728	48VDC	990-1220	4.5-8	10A
WNUC4FK110	W607729	110VDC	990-1220	4.5-8	6A
WNUC4FK220	W607730	230VDC	990-1220	4.5-8	4A
WNUC4FK440	W607731	440VDC	990-1220	4.5-8	2A
For contactors WNUC-630F-800F					
WNUC4FL048	W607732	48VDC	1420-1920	6.5-12.5	16A
WNUC4FL110	W607733	110VDC	1420-1920	6.5-12.5	8A
WNUC4FL220	W607734	230VDC	1420-1920	6.5-12.5	4A
WNUC4LK440	W607735	440VDC	1420-1920	6.5-12.5	2A

AC Contactor WHDC1-780F~1250F

1. Scope of application .

WHDC1-780F~1250F AC contactor (hereinafter referred to as contactor) is mainly used in AC-3 use category, AC 50Hz (or 60Hz), rated working voltage is 400V, rated working current is 780~1250A AC circuit, for long-distance switching and power off motor, mainly used in frequency converter, soft starter. And can be used in AC-1 use category, AC 50Hz (or 60Hz), rated working voltage of 1000V, rated working current of 1600A AC circuit, for long-distance connecting and breaking circuit.

2. Products pictures.



WHDC1-780F~1250F

3. Main Technical Parameters

Type		WHDC1-780F	WHDC1-1000F	WHDC1-1250F
Rated current I_e A $U_e \leq 440V$ $\theta \leq 40^\circ C$	AC-3	780	1000	1250
	AC-1	1600	1600	1600
Convention free air heating current I_{th} A		1600	1600	1600
Nominal insulation voltage U_i V		1000	1000	1000
Rated impulse withstand voltage U_{imp} KV		8	8	8
Rated switching capacity		Switching current : $10 \times I$ (AC-3)		
Rated breaking capacity		Breaking current: $8 \times I$ (AC-3)		
Short-time withstand current starts from cold state, no current before 60 minutes, environment temperature $\leq 40^\circ C$	10s	12500	12500	12500
	30s	9000	9000	9000
	1 m	7000	7000	7000
	3 m	6000	6000	6000
	10 m	4000	4000	4000

Max power Pe kW $\theta \leq 40^{\circ}\text{C}$ AC-3	220/240V	220	280	355
	380/400V	400	500	630
	440V	425	560	700
	500V	450	600	750
	660/690V	475	670	800
	1000V	450	530	630
Max working power Pe kW $\theta \leq 40^{\circ}\text{C}$ AC-1	380/400V	950	950	950
	660/690V	1650	1650	1650
Maximum operating frequency Working cycle/hour		200	200	200
Electrical life thousands of times (AC-3)		30	30	30
Mechanical life thousands of times		100	100	100
Average impedance per pole lth and 50Hz (m Ω)		0.1	0.1	0.1
Power dissipation per pole at rated current (W)	AC-3	60	100	150
	AC-1	250	250	250
Main circuit wiring ability mm ²		100×5 2 wire	100×5 2 wire	100×5 2 wire
Tightening torque N.m		58	58	58
shock resistance 1/2 sine wave =11ms	Contact open	5	5	5
	Contact close	15	15	15
anti-seismic property 5...150Hz	Contact open	2.5	2.5	2.5
	Contact close	5.5	5.5	5.5
SCPD	Type	MCCB	MCCB	MCCB
	Rated current A	800	1000	1250
Weight kg		40		
Coil	rated control voltage Us (V)	AC: 220-230、380-400、415-440 DC: 220-230		
	Operation voltage (V)	AC 0.85...1.1Uc		
	Drop out voltage (V)	AC 0.20...0.55Uc		
	AC Coil Power 50-60Hz	Start (VA)	2200...2700	
Pick up (VA)		37.4...50.6		

		Pick up (VA/W)	40...80
		Drop out(ms)	100...200
DC Coil		Start (VA/W)	2130...2880
		Pick up (VA/W)	13...25
		Pick up (ms)	60...70
		Drop out(ms)	40...50
Wiring ability	Flexible wire	1pc	Min 1 mm ² , Max 2.5 mm ²
		2 pcs	
	Hard wire	1 pc	Min 1 mm ² , Max 4mm ²
		2 pcs	
Tightening torque N.m			1.2
Auxiliary contacts	Operation voltage		AC 380V、DC 220V
	Rated current (A)	AC-15(360VA)	0.95
		DC-13 (33W)	0.15
	Minimum load can be switched on		24V 10mA

4、 Normal working environment

1) Storage: -60°C ~ +80°C;

Operation: Standard operating temperature -5°C ~ +40°C, maximum allowable operating temperature range under standard control voltage: -40°C ~ +60°C,

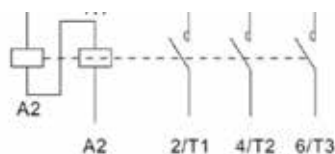
No acid, alkaline or other corrosive gases in the surrounding air;

2) Climate tolerance: Category B , temperature range -40°C ~ +60°C;

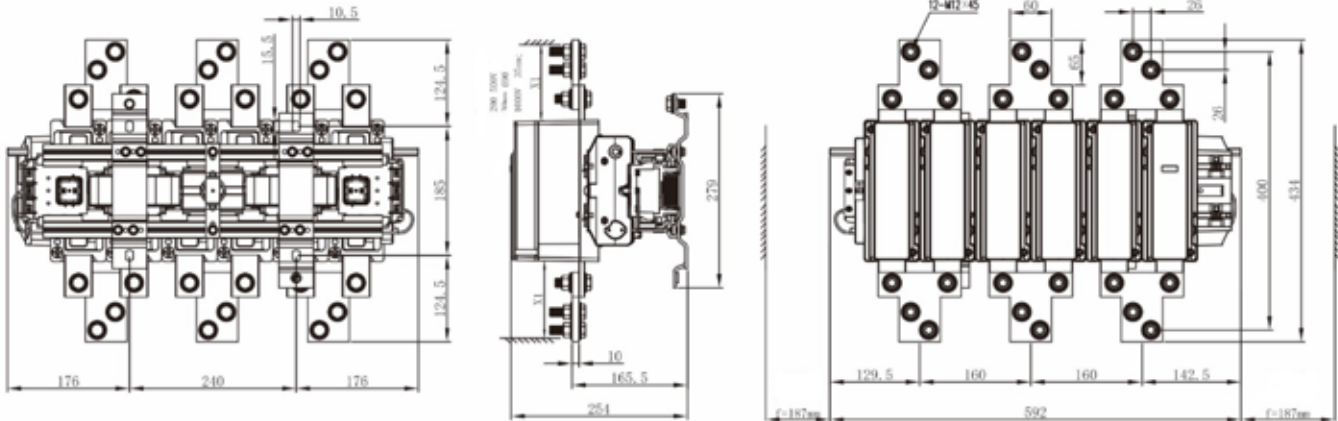
3) The elevation of the installation site shall not exceed 3000 meters;

4) When the relative humidity of the installation site is +40 ° C, the relative humidity of the air does not exceed 50%, and a higher relative humidity can be allowed at a lower temperature, such as 90% at 20 ° C. Special measures should be taken for condensation occasionally caused by temperature changes.

5、 Wiring diagram



6、Product outline and mounting dimensions



Note: 1.X is the minimum electrical clearance;

WHDC1-780F~1250F Outline and installation dimensions

7、Installation Method

Bolt mounting.

8、Package storage

Each assembled product is packed in a box and should be stored in a warehouse with unobstructed air and a temperature not higher than +80 ° C and not lower than -60 ° C. Store in a warehouse without acidic, alkaline or other corrosive gases in the surrounding air.

9、List of accessories and installation

Instruction manual, main circuit wiring bolt attachment package, T-shaped copper plate 6 pieces.

10、Optional accessories

Instantaneous auxiliary contact module: WHDF1-22, 2NO+2NC, WHDF1-11, 1NO+1NC can be mounted on the side top;

Delay auxiliary contact module: WHDF2-T0, 1NO+1NC, 0.1-3s, can be hung on the side top;

11、Announcements

- 1) The product should be installed in a place without significant shaking or vibration;
- 2) The product is installed vertically, and the inclination between the mounting surface and the vertical plane is not more than $\pm 30^\circ$
- 3) The tightening torque of the wiring bolt is 58N.m. The wiring must be reliable to prevent the wiring end from burning due to abnormal heating.

12、Order description

e.g: WHDC1-780F / 220V ,50-60Hz, AC-3, 100 PCS;

WJ19 Capacitor Contactor



2

Capacitor Contactor

Applicable scope

Applicable to rated voltage AC600VC and below, with frequency at 50Hz/60Hz, and applied as a contractor for connecting and disconnecting low-voltage capacitor in parallel. Contactor is equipped with current limiting resistor, which can suppress surge current output from capacitor when they are initially connected, which effectively reduce the impact of surge current to the capacitors and increase the life and reliability of capacitors.

Operation and installation conditions

Type	Operation and installation conditions
Installation class	III
Pollution degree	3
Compliant standards	IEC/EN 60947-1
Certification mark	CE
Ambient temperature	Normal operation temperature range: -5°C~+40°C. The 24-hour average temperature should not exceed +35°C. For use beyond the normal operation temperature range.
Altitude	Not exceeding 2000 m above sea level
Atmospheric conditions	At mounting sit, The relative humidity should not exceed 50% at the upper temperature limit of +40°C. Higher relative humidity is allowed at a lower temperature, example RH could be 90% at +20°C, Special measures should be taken to occurrence of dews.
Installation conditions	The angle between the installation surface and the vertical surface should not exceed ±5°.
Impact and shake	The products should locate in the places where there are no obvious impact and shake.

WJ19 Capacitor Contactor

Main parameter		Technical performance
Rated isolation voltage U_i (V)		690V
Rated Operational voltage U_e (V)		220/230V, 380/400V,660/690V
Restrained surge capacity		20 I_e
Controlled power voltage (V)		110V 127V 220V 380V
Auxiliary contact	AC-15	I_e :0.95A U_e :380/400V
	DC-13	I_e :0.15A U_e :220/250V
	Conventional thermal current (I_{th})	10A
Operating Frequency cycles/h		120
Electrical durability 10^4		10
Mechanical durability 10^4		100

2

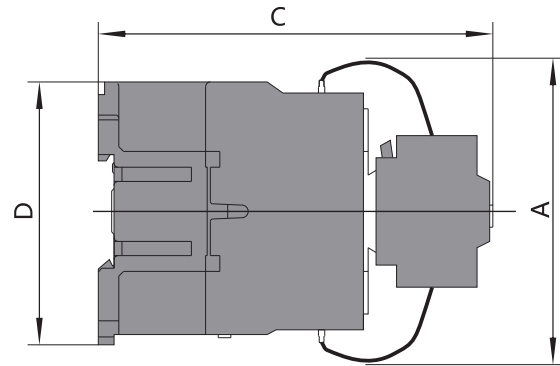
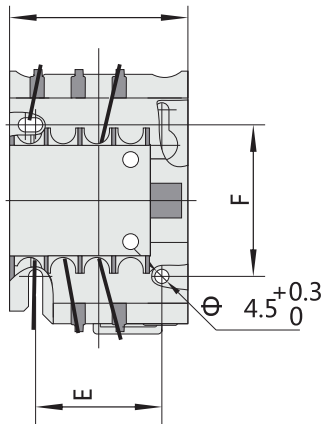
Capacitor Contactor

Item	Ref.No		Controllable capacitor Capacity in KVAR	Conventional thermal current I_{th} (A)	Rated operation current I_e (A) (380V)
WJ19-25	W606409	220V/230V	6.7	25	17
		380V/400V	12.5	25	17
		660V/690V	18	25	17
WJ19-32	W606410	220V/230V	10	32	23
		380V/400V	20	32	23
		660V/690V	26	32	23
WJ19-40	W606411	220V/230V	15	40	29
		380V/400V	25	40	29
		660V/690V	36	40	29
WJ19-63	W606412	220V/230V	20	63	43
		380V/400V	33.3	63	43
		660V/690V	48	63	43
WJ19-95	W606413	220V/230V	35	95	72.2
		380V/400V	50	95	72.2
		660V/690V	92	95	72.2

WJ19 Capacitor Contactor

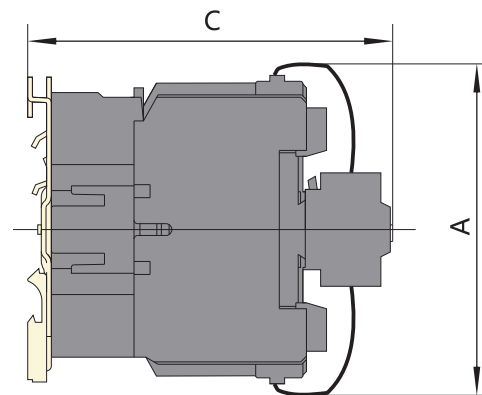
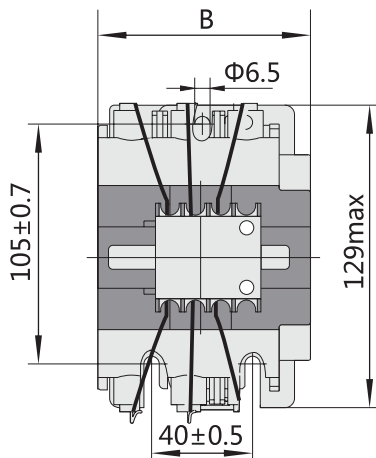
Dimensions

WJ19-25~32



Contactor model	Amax	Bmax	Cmax	Dmax	E	F	Note
WJ19-25~32	80	45	132	85	34	50/60	Not only fixed by screws but also could be fixed with 35mm din rail

WJ19-40~95



Contactor model	Amax	Bmax	Cmax	Dmax	Note
WJ19-40~63	132	77	153	127	Not only fixed by screws but also could be fixed with 35mm and 75mm din rail
WJ19-95	135	86	153	127	

Wiring and installation

1. The connection terminals are protected through insulation cover, which is reliable and secure for installation and operation.
2. For WJ19- 25~40, screws are available for installation, as well as the DIN rail; for WJ19- 63~95, 35mm or 75mm standard rail are available for installation.



Worldwide



OUR PROMISE

Westinghouse is built upon a tradition of dependability and innovation.

Today, we strive to make everyday life a little better by offering a wide range of quality products and services you can trust.



WHY WESTINGHOUSE ?

Since 1886, Westinghouse has brought the best to life. Today, Westinghouse Electric Corporation remains a trusted name globally in consumer and industrial products. Built on a heritage of innovation and entrepreneurial spirit. Today, Westinghouse continues to grow its diverse portfolio, which includes a wide range of product categories, including home appliances, consumer electronics. Lighting and power generation





Westinghouse

Pennsylvania , USA

Westinghouse LV MV Product sp. z o.o.

Warsaw, Poland

Westinghouse Lv Mv Product Sdn. Bhd.

Penang, Malaysia

Westinghouse LV MV Product

Dubai, UAE

Westinghouse LV MV Product

Istanbul, Turkey

WWW.westinghouselvmv.com

Email: info@westinghouselvmv.com